

OHLPRO

Shenzhen Hengyehui Technology Co., Ltd.

USER MANUAL

Backseat Car Charging Station Box

Contents

Specifications	01
Overview	02
Installation Instructions	04
Other Options in OHLPRO Store.....	08
Attentions	09
Customer Service.....	10



Protection



Fast charging



Retractable



Compatible

Thank you for purchasing and using this product!

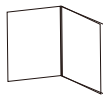
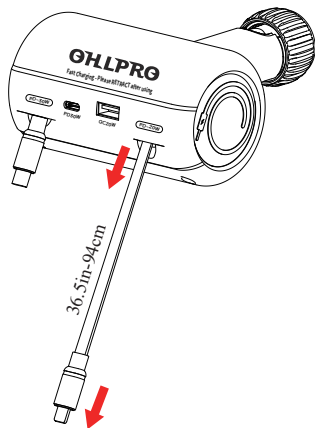
In order to bring you a better experience, please read this operation instruction carefully before using this product and keep it properly for future reference.

Specifications

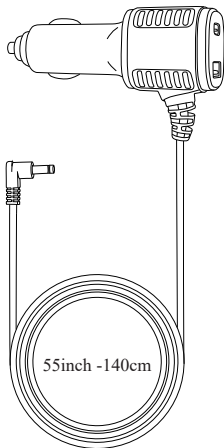
Product Name	Backseat Car Charging Station Box
Model	SS-X10
Material	ABS+PC+PVC
Applicable Place	Car Headrest
Colour	Black
Charging Interface	USB-A, USB-C, TYPE-C, USB-I
Input Voltage	5V/9V
Input Current	MAX 3A/27W
Output Current	USB-A/20W,USB-C/30W,TYPE-C/30W,USB-I
Wire Length	36.5 inch

The parameters above are derived from the laboratory of OHLPRO. The actual parameters may differ from product to product or other factors. All images shown here are for reference only.

Overview



Instructions



INPUT: DC-12V

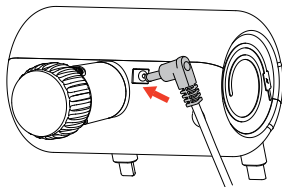
OUTPUT: DC-12V/3A

USB-A: 5V/3A, 9V/2A, 12V/1.5A

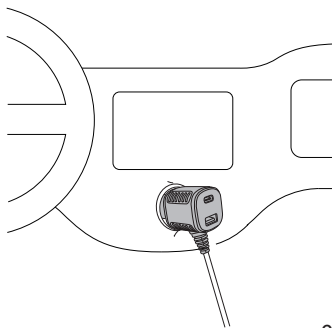
USB-C: 5V/3A, 9V/2.22A, 12V/1.67A

Installation Instructions

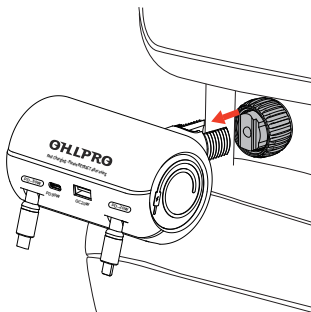
1. Assemble the car charging station box as shown in the illustration



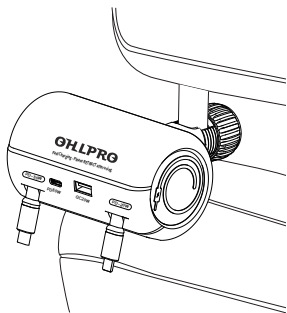
2. Push the ball joint firmly into the groove on the back, then tighten the fixed nut.



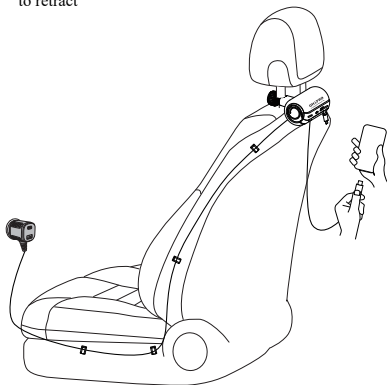
3. Clamp the car headrest



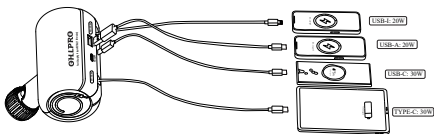
4. Adjust position and lock nut



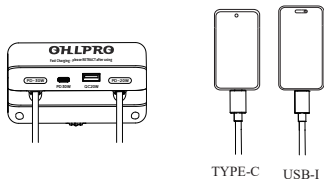
5. Stretch any length and then release the charging cable will automatically jam. Just pull out a little, then release to retract



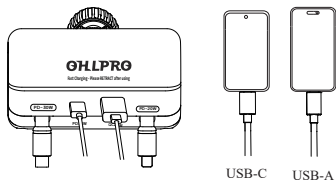
6. Can charge four devices simultaneously



7. Two retractable charging cables USB-i and Type-c

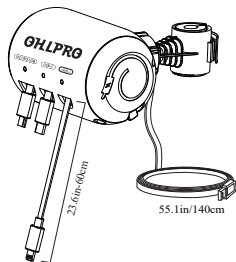


8. Two charging ports USB-C and USB

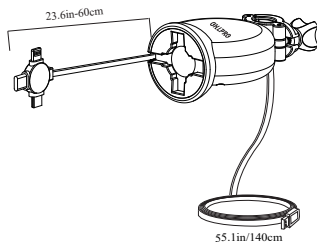


Other Options in OHLPRO Store

Optional - A - Standard Car Charging Station



Optional - B - Small Car Charging Station



Attentions

- 1.Children please use under the guidance and accompanied by an adult.
- 2.This product has the function of input over current and over voltage protection. The improper use will shut down or reduce the output power. Please check whether the device is abnormal or improperly used.
- 3.Please do not disassemble.
- 4.Ensure proper connection of the Retractable Car Charger and avoid using damaged charging cables.
- 5.Keep the operating ambient temperature between 32-104°F. Avoid placing the product in water or near open flames. Do not expose it to extremely high temperatures (>104°F) or very low temperatures (<32°F).
- 6.Incorrect use or improper placement of the product by the user may lead to a reduction in the service life of the product or damage to the product. The consequence thus incurred is not within the scope of the warranty or the manufacturer's responsibility. We hope you can kindly understand.
- 7.In case of any unusual occurrences, cease using the headrest retractable car charger immediately and contact our customer service.

 MADE IN CHINA

Customer Service



24 month limited warranty



Lifetime technical support



support@ohlpro.com



@OHLPRO



<https://ohlpro.com>



If you have any questions or concerns about our products please feel free to contact us. We'd be more than happy to help and answer you. Thank you for your attention and support to our products we look forward to establishing a good cooperative relationship with you.